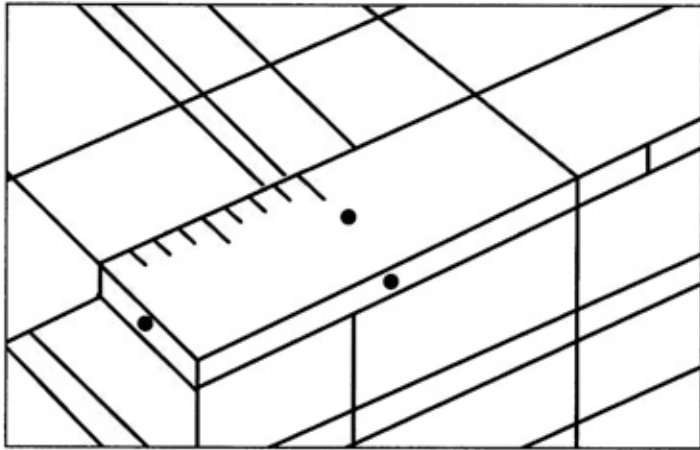
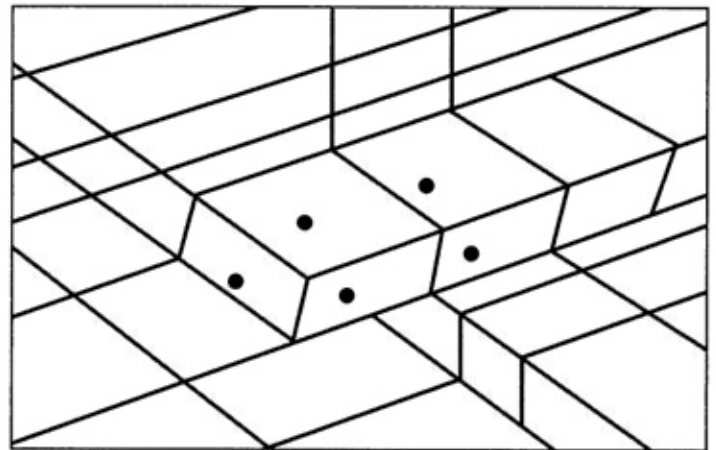


SCHOOL OBJECTS

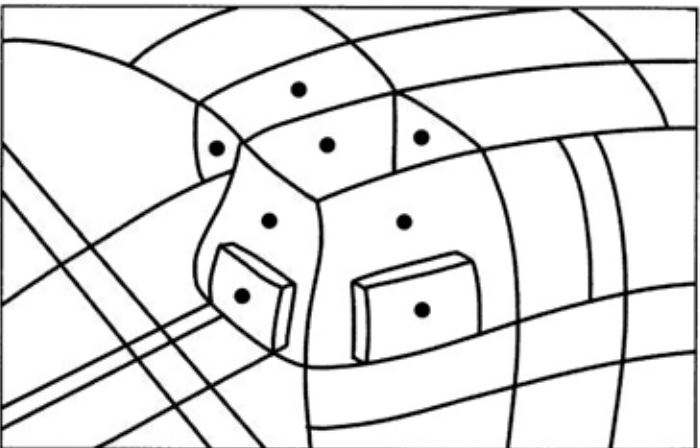
Colora gli spazi con i puntini e scopri cosa appare.
Segna con un X la risposta giusta.



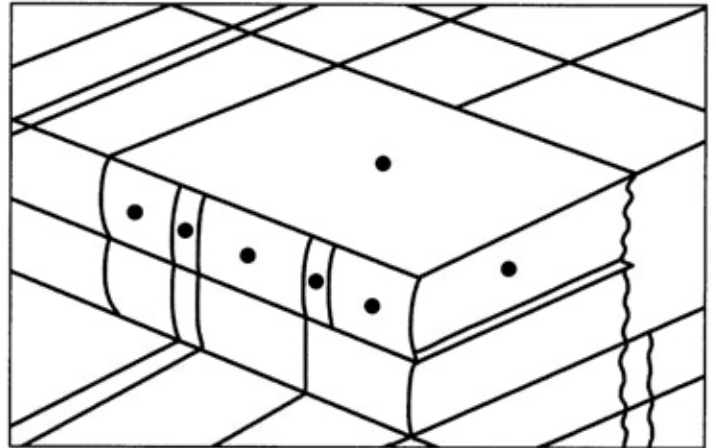
- IT'S A RULER
- IT'S A PENCIL



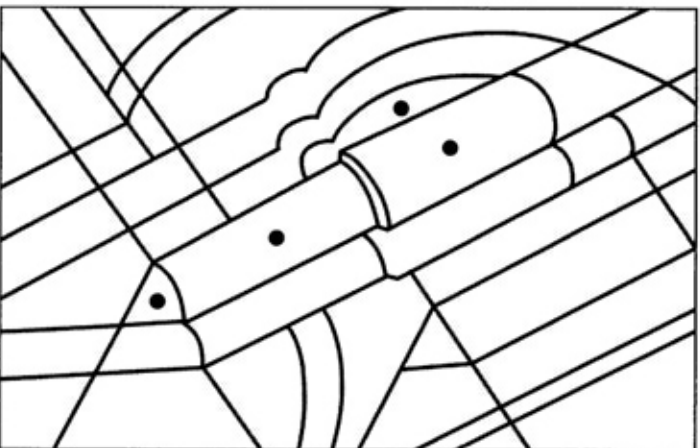
- IT'S A PEN
- IT'S A RUBBER



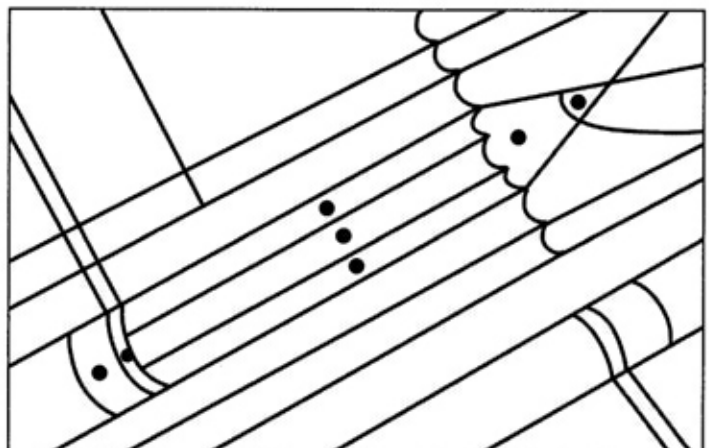
- IT'S A PEN
- IT'S A SCHOOLBAG



- IT'S A BOOK
- IT'S A RULER



- IT'S A RULER
- IT'S A PEN



- IT'S A PENCIL
- IT'S A BOOK